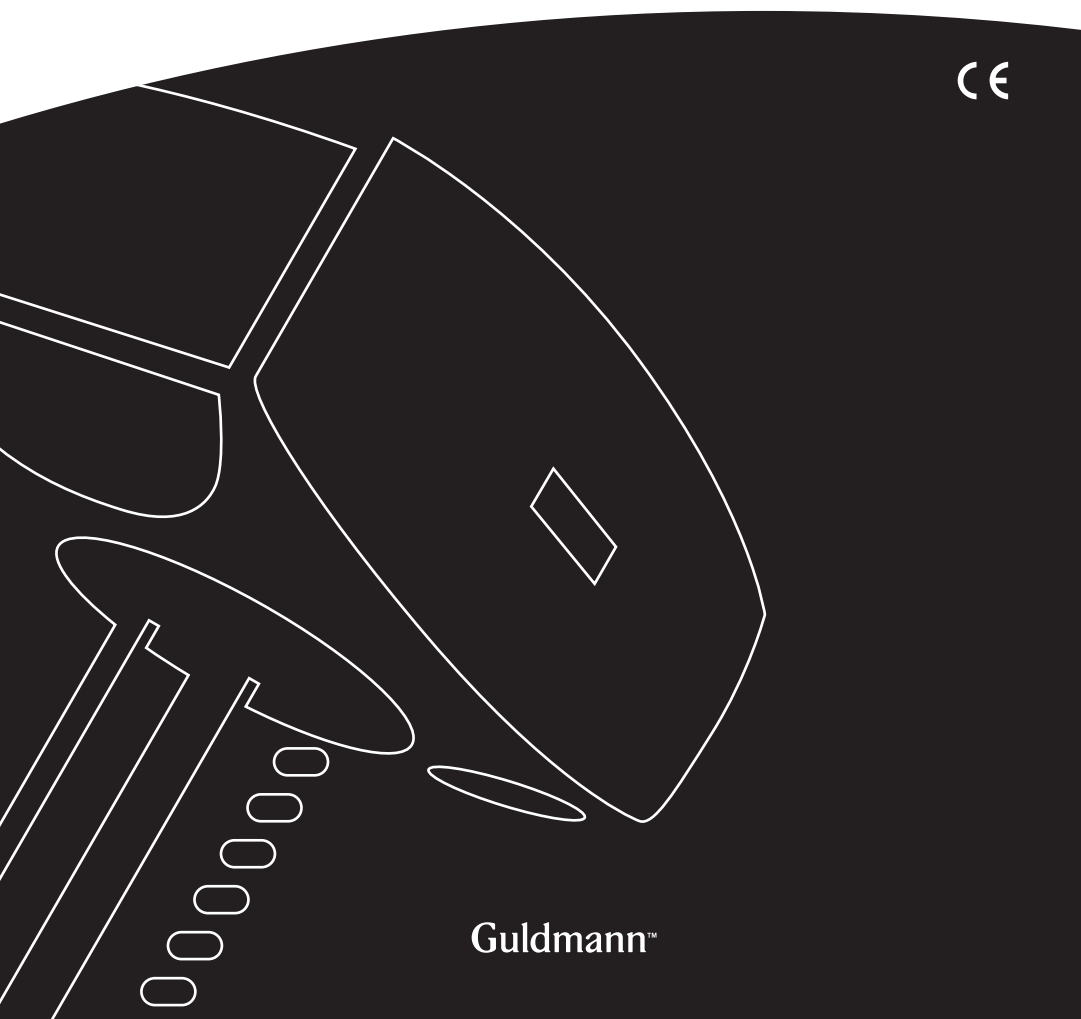




## GB/US . . . .GH2 Ceiling Hoists

Vers. 2.01

CE



Guldmann™

---

## **GH2 Ceiling Hoists**

### **Hoist numbers:**

120001 - xxxx

---

<b>1.00</b>	<b>Purpose and use</b>	<b>3</b>
1.01	Manufacturer	3
1.02	Purpose and use	3
1.03	Important – precautions	3
1.04	Load limits on your GH2 system	4
1.05	Unpacking and preparation	4
1.06	Mounting the lifting hanger before use	5
1.07	The lifting sling	6
1.08	Before the hoist can be used	7
1.09	Power supply	7
1.10	The Swing-kit	8
1.11	GH2+2 ceiling hoist with built-in drive motor	9
1.12	GH2+2R ceiling hoist with built-in drive motor and infrared remote control	9
<hr/>		
<b>2.00</b>	<b>Description of functions</b>	<b>10</b>
2.01	Pictograms	10
2.02	Indicator lamps	11
2.03	Operation	11
2.04	Safety functions	12
2.05	Recharging	13
2.06	Accessories	14
<hr/>		
<b>3.00</b>	<b>Transport</b>	<b>15</b>
<hr/>		
<b>4.00</b>	<b>Maintenance and storage</b>	<b>16</b>
4.01	Cleaning	16
4.02	Storage	16
4.03	How to prevent and avoid corrosion	16
4.04	Daily maintenance	16
4.05	Disposal of GH2 incl. batteries	16
<hr/>		
<b>5.00</b>	<b>Service and lifetime</b>	<b>17</b>
5.01	Lifetime	17
5.02	Service inspection	17
5.03	Troubleshooting	18
<hr/>		
<b>6.00</b>	<b>Technical specifications</b>	<b>19</b>
<hr/>		
<b>7.00</b>	<b>EC declaration of conformity</b>	<b>21</b>
<hr/>		
	<b>USA and countries outside the EU</b>	<b>22</b>
A.	Users guide	22
B.	Warranty	22

---

**1.00 Purpose and use**

---

**1.01 Manufacturer**

V. Guldmann A/S  
Graham Bells Vej 21-23A  
DK 8200 Århus N  
Tel. +45 8741 3100  
Fax +45 8741 3131  
www.guldmann.com

---

**1.02 Purpose and use****Purpose**

GH2 is a ceiling-mounted hoist that covers the need for lifting and moving people in hospitals, at nursing homes, institutions, swimming pools, riding schools and in private homes.

**Preconditions**

The preconditions for using the GH2 hoist are that:

- the staff who operate this aid facility have received training,
  - the instruction offered by Guldmann to all customer groups in connection with the purchase of a ceiling-mounted hoist has been received,
  - the carer pays close attention to the well-being of the person being lifted,
  - the hoist is used in rail systems approved and tested in acc. with Guldmann's stipulations,
  - installation and testing of rail systems should only be performed by Guldmann-approved engineers.
  - the hoist is used with a Guldmann lifting hanger or with another suitable lifting hanger (point 1.06),
  - the hoist is used with a Guldmann lifting sling or other suitable slings (point 1.07).
- 

**1.03 Important – precautions**

- Read the instructions carefully before using the GH2 hoist.
- GH2's maximum load of 200 kg/440 lbs. and 250 kg/550 lbs. respectively must never be exceeded.
- GH2 may only be used to lift people.
- The red emergency stop and emergency lowering strap must be adjusted to the user's reach.
- GH2 must not be used where there is a risk of water being sprayed directly onto it (Except for GH2 with protection class IP24).
- If the GH2 hoist fails while in use, it should not be used further, and the local Guldmann representative must be contacted for a repair.
- If the GH2 hoist is used where the distance between the rail system and the floor exceeds 3 metres/120", the lifting strap must be extended with an extension strap.
- GH2 is controlled by a microprocessor PC Board, which can be damaged by static electricity if touched without the necessary precautions. See point 1.09. Thus, the electronics should be looked after by qualified technicians, only.

---

**1.04****Load limits on your GH2 system**

Read the labels which indicate the maximum load limits for the components.

The component which has the lowest load limit, i.e. the lifting hanger, the lifting sling, etc., determines the entire system's maximum load limit.

This maximum load limit must not be exceeded.

Please note that the load may change when different components are used, such as lifting hangers, lifting slings, etc.

---

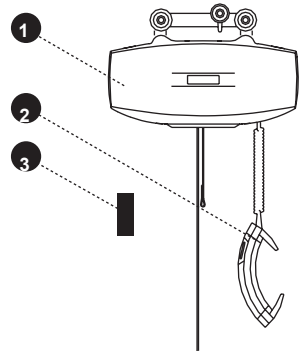
**1.05****Unpacking and preparation**

Visual check of the GH2

If it appears that the GH2 hoist has been damaged when you unpack it, it must not be used until it has been checked by a qualified person or by the Guldmann Service Team.

**Contents of the box**

1. GH2 hoist
2. Hand control
3. Transformer/charger
4. Manual
5. Label for rail system
6. Charging station (for DC charger)
7. Friction enhancer (GH2+2R)



**Lifting hangers made by other manufacturers**

Guldmann shall not be liable for faults or accidents that occur as a result of using lifting hangers made by other manufacturers.

***If you are in any doubt regarding the choice or use of the lifting hanger: please contact your supplier.***

**Strap with snap hook**

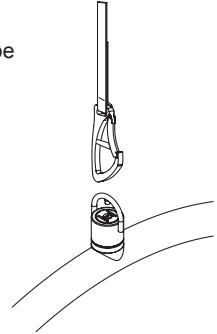
Use lifting hanger type 21X87 or the X lifting hanger type 21387 when using GH2 with a snap hook.

GH2 with a snap hook can also be used for Swing.

The snap hook is sewn onto the strap and cannot be removed.

**Please note**

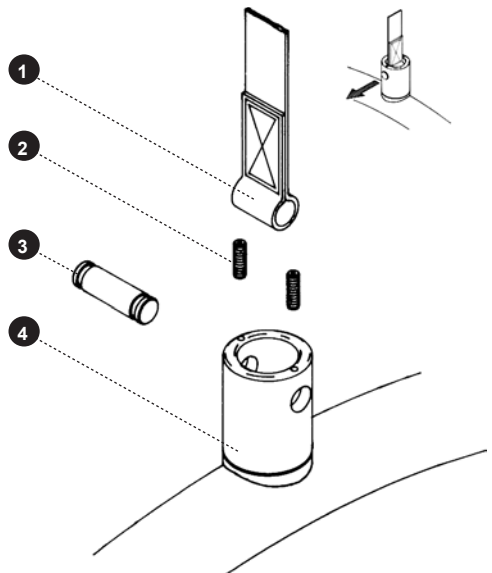
Bath chairs, bath stretchers, and horizontal stretchers must be attached to the snap hook.

**Strap attachment**

Use lifting hanger type 21X70 or Horizontal Lifter Type BS when using GH2 with strap attachment.

Mount the lifting hanger as illustrated.

- Loosen the pointed screws (2).
- Release the axle journal (3).
- Mount the lifting strap (1) on the lifting hanger (4).
- Introduce the axle journal (3).
- Use a 1.5 mm Allen key to tighten the pointed screws.



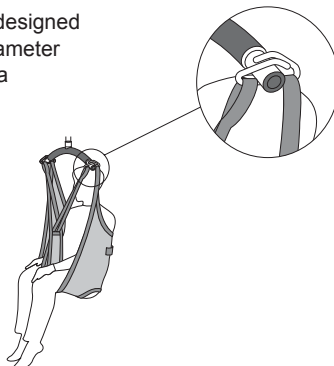
### The lifting sling

A lifting sling with four to six lifting straps designed for mounting on hooks with a minimum diameter of 8 mm/0.3" should be used when using a Guldmann lifting hanger.

### Slings made by other manufacturers

Guldmann shall not be liable for faults or accidents that occur as a result of using lifting slings made by other manufacturers.

***If you are in doubt regarding the choice or use of the lifting sling: please contact your supplier.***



Guldmann shall not be liable for faults or accidents due to incorrect use of the lifting sling, or for reasons of inadequate attention on the part of the carer or user.

### Working with the GH2 hoist

It is only necessary to pay attention to the user's functional level and the carer's technique, as the GH2 hoist makes no special requirements as regards space or power consumption and runs easily in the rail system. The user should only be lifted just clear of the underlying surface and should be moved at this height.

### Attaching the lifting sling

Attach the hooks that face the user to the uppermost set of straps (from the back). Attach the lowermost set of straps (from the legs) to the hooks that face away from the user.

### Lifting to and from sitting position

When lifting a user from e.g. a wheelchair, move the GH2 towards the person to be lifted.

The lifting hanger should be at the same height as the person's chest and should not be moved further in over the user than to approximately mid-thigh position.

Place the lifting hanger parallel to the user's shoulders.

Place the lifting sling behind the user's back between the back of the chair and the user's back.

The centre band of the lifting sling should follow the user's spine. As for the slings type Active the strap showing the size of the sling should be opposite the spine. Lead the leg straps along the outer sides of the user's shins and beneath the thighs between the hollow of the knees and the hip joints. Cross the leg straps over each other in front of the user.

All four lifting straps are now ready to be attached. The lifting sling can now be mounted on the lifting hanger.

### Lifting to and from lying position in bed

Bring the lifting hanger over the centre of the person to be lifted.

Place the lifting hanger parallel to the user's shoulders.

Turn the user onto his or her side. The lifting high back sling should be placed

so that its top is at the same height as the top of the user's head. Now lay the sling over the user so that the centre band follows the user's spine. Turn the user onto his or her back and pull out the remaining part of the lifting sling. Place the leg straps beneath the user's thighs and cross them over each other. All four lifting straps are now ready to be attached and the lifting sling can now be mounted on the lifting hanger. It is an advantage to elevate the head of the bed so that the user is sitting up. Only persons who have received competent instruction regarding the use of lifting equipment and fitting of slings should start using the hoist.

---

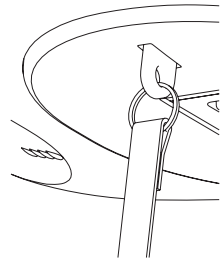
## 1.08 Before the hoist can be used

### Battery connection

Attach 4-pole plug in accordance with the enclosed instructions. The measures regarding ESD-safety are valid in this connection. See point 1.09.

### Emergency stop device

The emergency stop device must be reset in order to connect power to the product. To do this, push the contact arm, to which the red emergency stop band is fastened, towards the product until it clicks.



---

## 1.09 Power supply

GH2 is equipped with batteries that require regular recharging. The power supply for charging and the battery charging point must be connected by a qualified engineer or by the Guldmann Service Team. The transformer/recharger supplied must **always** be used.


### AC power supply

When the power is supplied via the rails (Midi-rails), an AC transformer Guldmann type DTS-2420, item No. 937000, must be used. For connection please refer to the installation guide.

If AC power supply is used (MIDI rails), the hoist will after use be constantly recharged throughout the length of the rail.

### DC power supply

When the power is supplied via the charging station, a DC charger Mascot type 2240, item No. 937030, must be used. For connection please refer to the installation guide.

If DC power supply is used (MINI, MAXI and JUMBO rails), the hoist shall after use be placed in the charging station for recharging. The charging station is marked with  on the rail.

### Safety concerning static electricity (ESD)

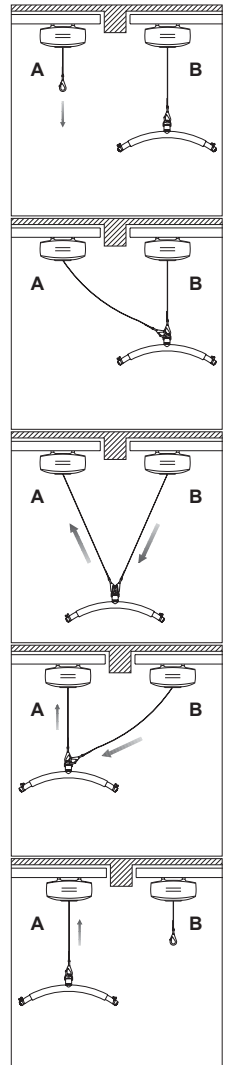
Service technicians and installers must use an ESD-safety package consisting of a mat, a ground wire, and a bracelet. The technician/installer connects the mat to a grounding point, for instance a radiator or a water pipe. He must then put on the bracelet and connect it to the mat. If the technician

is using a ladder, it is important that the mat is placed on the step on which he is standing. If it is not possible to find a grounding point, the mat and the bracelet must be used as a minimum. Only then is it allowed to work with the PC Board or components where it is possible to come into contact with the PC Board.

## 1.10 The Swing-kit

**Note:** If you wish to use the Swing-kit with the GH2 hoist, this must be specified when ordering.

1. Bring the two hoists as close to each other as possible.  
The lifting hanger is attached to the hook on hoist B.
2. Pull out the free strap and hook from hoist A and attach it to the eye.
3. Pull out the lifting strap on hoist B a little further and retract the lifting strap on hoist A.  
When the transfer swing has been completed there is no longer any load on the lifting strap on hoist B.
4. Release the hook and strap from hoist B, which now bears no load.  
Return the lifting strap to hoist B until the hook is needed again.
5. Return the lifting hanger on hoist A to working height. The transfer through the door has now been completed.





---

**1.11****GH2+2 ceiling hoist with built-in drive motor**

GH2+2 ceiling hoist with a built-in drive motor operates fully automatically on the rail system.

When using a GH2+2, please note that the motor uses approx. 1 second to accelerate and stop the hoist, respectively. Thus, when stopping the unit from max. speed, the motor must be cut off 10-15 cm before the desired position. When the hand control is activated for a shorter period of time, it is possible to position the hoist with a high level of accuracy.

GH2+2 must run on its own power and should not be pulled through the rail system.

---

**1.12****GH2+2R ceiling hoist with built-in drive motor and infrared remote control**

GH2+2R has a built-in drive motor and IR receiver which is controlled by the IR sender.

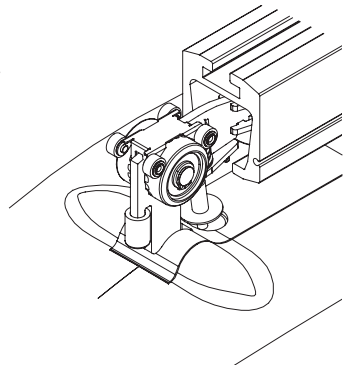
With this sender, it is possible to control all the functions of the hoist. Furthermore, the IR sender can be used to control e.g. switch tracks, combi-locks and turntables mounted with IR receivers.

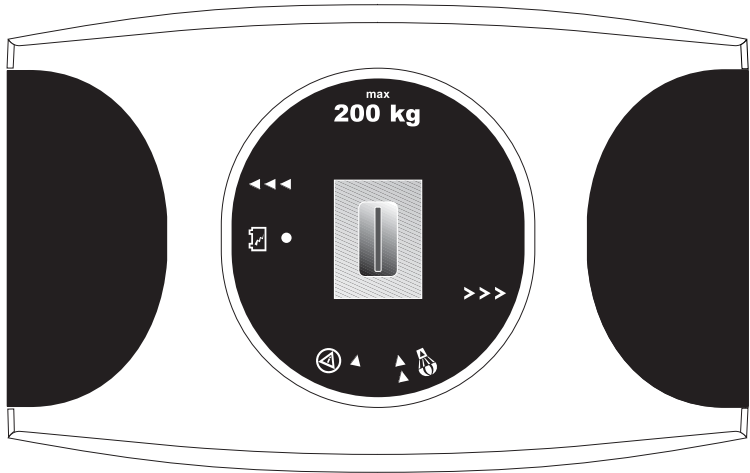
The cable-mounted hand control must remain fitted to the hoist. This will ensure that the hoist can always be operated if the IR sender is mislaid or if its batteries run dry.

In certain cases, an unladen hoist with a drive motor can, due to its low unloaded weight, have difficulty in driving through, for example, switch tracks, if the switch is not open in the direction in which the hoist is passing. To provide extra security for unassisted users that the hoist runs smoothly through the track system, it is possible to mount a friction enhancer in connection with the hoist's drive wheels. Friction enhancers cannot be used in connection with a drive-through charging station.

**Friction enhancers are mounted as follows:**

1. Move the hoist to the end of the rail, making sure that the drive wheels are free of the rail.
2. The friction enhancer is placed over the wheels as shown. The long pins on the friction enhancer must point in the direction of the nearest end of the hoist.
3. Run the hoist into the rail again. Check that the friction enhancer is functioning by holding onto the hoist with the drive motor in operation. The hoist must pull strongly in both drive directions.





The information panel on the GH2 hoist as seen from the floor.

2.01

Pictograms



Charging indicator



Emergency lowering



Emergency stop



Direction of travel for GH2+2 with drive motor

Example of a serial number label

– see variants of GH2 ceiling hoists under point 6.00





CE-marking



Type B in accordance with EN 60601-1



Read instructions before use

ED15%

Permissible operation time, for instance operation 3 min. and pause 20 min.



Please don't throw away with household rubbish, but recycle the product

## 2.02 Indicator lamps

The colours and functions are as described below:



### Green

- On The hoist is active.
- Blinking The hoist batteries need recharging.
- Off The hoist is switched off.



### Yellow

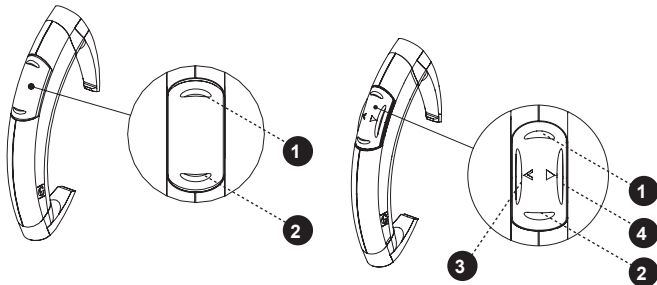
- On Charging indicator indicates that connection is established between the hoist and the recharger/transformer.

## 2.03 Operation

### Hand control

Pressing a button on the hand control automatically switches on the GH2 hoist. The GH2 will automatically switch off after approximately ten minutes when not in use.

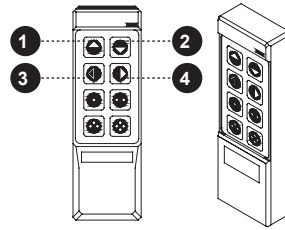
1. Lift
2. Lower



1. Lift
2. Lower
3. Move hoist towards the open arrow on the information panel of the hoist
4. Move hoist towards the closed arrow on the information panel of the hoist

### Infrared remote control

1. Lift
2. Lower
3. Move hoist towards the open arrow on the information panel of the hoist
4. Move hoist towards the closed arrow on the information panel of the hoist



### Note

There must be a load on the strap corresponding to the weight of Guldmann's lifting hanger before the lifting/lowering function will operate.

### Transport/running in the rail system

Push the GH2 hoist manually into the rail system.

GH2+2/GH2+2R operates fully automatically on the rail system by pressing the hand control/IR sender.

The GH2 hoist must not be exposed to sudden changes in temperature.

For instance, you must not take a cold hoist into a hot bathroom or similar.

## 2.04

### Safety functions

#### ***The emergency stop and emergency lowering device should be used only in an emergency***

If, contrary to expectations, it becomes necessary to use the safety functions, the fault must be located and remedied before using the GH2 hoist again.

Please contact your supplier.

#### **Re: EMC**

If electromagnetic or other influences occur between this product and other products, these products must not be used together.

#### **The function of the emergency strap**

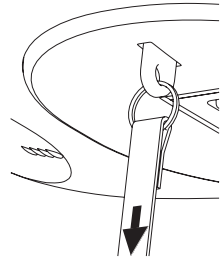
Pulling the red strap will activate the following functions:

- 1st pull: Emergency stop
- 2nd pull: Emergency lowering (requires a constant, light pull).

#### **Emergency stop**

If the GH2 hoist does not respond to the hand control when in use, pull the red strap lightly to deactivate all functions except the emergency lowering function. When the emergency stop has been activated, the GH2 hoist will no longer function.

The emergency stop's contact arm must be pushed in manually before the GH2 hoist will be ready for use again.



- After deactivation of the emergency stop, activate the hand control twice.
- the first time to reset the PC Board
  - the second time to switch on the hoist



### **Emergency lowering**

If the GH2 hoist breaks down, the electric emergency lowering device can be used to lower the user safely.

The emergency lowering device is operated by a constant pull on the red strap which is also used to activate the emergency stop.

If the red strap is not pulled constantly, the emergency stop will be active rather than the emergency lowering device, and it will not be possible to operate the GH2 hoist before the unit is reset.

### **Explanation to labels:**



#### **Type B**

In accordance with EN 60601-1.



#### **Warning**

Before use, cleaning and service read the user manual/technical documentation.

### **Description of strap safety device**

Overloading the hoist, pulling the strap crookedly, or if the strap is twisted, the strap safety device will be activated, and the GH2 hoist will be deactivated.

If the yellow mark on the strap is visible, it is not allowed to lift with maximum load.

---

## **2.05**

### **Recharging**

When the GH2 hoist is not in use it should be parked in the recharging unit. This will maintain the batteries and ensure them a long lifetime.



When GH2 is being recharged, the yellow charging indicator on GH2's information face is illuminated. The indicator light flashes while the batteries are being recharged. The light indicates that the GH2 hoist and the transformer/charger are correctly connected. The green circle of lamps on the bottom of the hoist will blink if the batteries are running low – the GH2 hoist will then be able to lift only a certain number of times, and the batteries must be recharged.

To recharge the batteries, place the GH2 hoist in the charging unit marked with the battery symbol on the rail. The batteries in a GH2 hoist installed in a MIDI rail will be constantly recharged throughout the length of the rail.

**Guldmann – ABC lifting sling and lifting hanger**

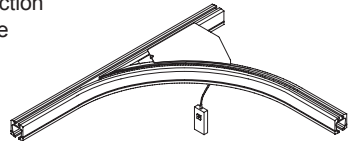
Order a special brochure from your distributor, the manufacturer or [www.guldmann.com](http://www.guldmann.com).

**Extension strap**

The extension strap must be used wherever the distance between the lower edge of the rail and the floor exceeds 3 metres/120". For example, if the distance between the rail and the floor is 3.5 metres/140", you should order a 500 mm/20" extension strap.

**Switch track, manual and electric**

Switch tracks are used for changing direction in a rail system. Manual switch tracks are activated by pulling on a cord attached to the switch tracks. This changes the direction of travel, and GH2 then runs in the direction indicated by the cord. Electric switch tracks are activated by pressing the attached hand control.

**Safety**

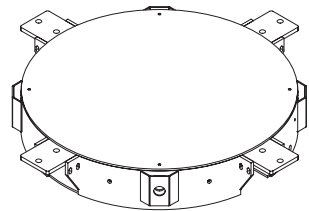
This product is mechanically protected against derailment and jamming.

**Turntable**

The turntable is used in track systems where the hoist needs to run in several directions.

The turntable must not be used with the GH2 HD hoist.

The GH2 motor is powered into the center of the turntable. By pressing the switch, the turntable rotates 90°. Press again, and the turntable returns to the first position.

**Safety**

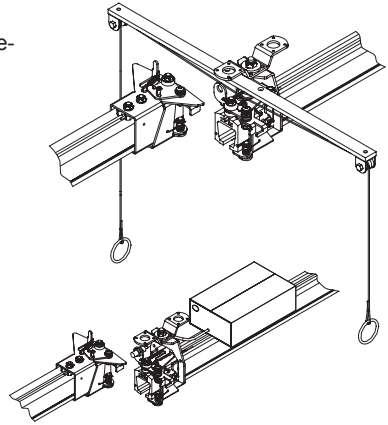
This product is mechanically protected against derailment and jamming.

### Combi-lock, manual and electric

The Combi-lock is used when a single-track rail system is to be linked up to a room-covering rail system, or when two room-covering rail systems need linking.

The Combi-lock ensures that the two systems are locked together in situations such as transfer from a single-track rail system in a bedroom to a room-covering system in a bathroom.

The Combi-lock is available as an electric or a manual model. It is activated by either pressing the switch or pulling on the cord.



### Safety

This product is mechanically protected against derailment and jamming.

### Infrared remote control

Switch tracks, turntable and combi-locks can be supplied with receivers for IR remote control.

### Batteries

Battery Guldmann type FG20401, item No. 933015

### Charger

Charger Mascot type 2240, item No. 937030

### Transformer

Transformer Guldmann type DTS-2420, item No. 937000

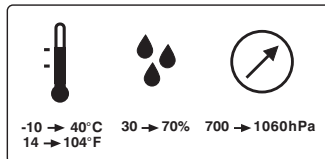
---

## 3.00

### Transport

Guldmann recommends that the GH2 hoist is always transported and stored in the original packaging.

### Explanation of symbols on the GH2 packaging:



GH2 should be stored at temperatures between -10 and +40°C / 14 and 104°F.

GH2 should be stored at an air humidity between 30 and 70%.

GH2 should be stored at an air pressure between 700 and 1060hPa.

---

**4.00 Maintenance and storage**

---

**4.01 Cleaning**

Clean the GH2 hoist with a damp cloth and standard household detergent. Never clean GH2 with strong acid, base or alcohol. Never clean GH2 in an autoclave.

---

**4.02 Storage**

The GH2 hoist should be stored in a dry room with a maximum humidity of 70%. The hoist should be stored with the emergency stop activated to prevent consumption of battery power. For long-term storage, remove the 4-pole plug with white, black, red and yellow connection leads.

The measures regarding ESD-safety are valid in this connection. See point 1.09.

---

**4.03 How to prevent and avoid corrosion**

If the GH2 hoist is mainly used in corrosive surroundings, such as swimming pools, it must be ordered with a special corrosion-preventive surface treatment. Do not expose GH2 to sudden cold/heat, as an example do not move a cold GH2 into a hot bathroom.

---

**4.04 Daily maintenance**

Check the lifting sling for wear and damage before using the hoist. Never use a damaged or defective lifting sling. Never use the GH2 hoist if the lifting strap is damaged or defective. Contact your supplier to order a new lifting sling or lifting strap replacement. The lifting strap may be replaced only by the Guldmann Service Team or by a qualified fitter in accordance with Guldmann's instructions.

---

**4.05 Disposal of GH2 incl. batteries**

Local and national regulations for environmentally responsible recycling must be observed. Batteries should always be taken to approved recycling points.



---

**5.00 Service and lifetime**

---

**5.01 Lifetime**

GH2 has an expected lifetime of 15 years, provided that the service inspections mentioned under point 5.02 are observed.

**Replacing components**

Batteries, printed circuit boards and lifting straps may be replaced only by a qualified fitter or by the Guldmann Service Team.

---

**5.02 Service inspection**

According to the international standard EN/ISO 10535 "Hoist for the transfer of disabled persons - Requirements and test methods" a safety inspection of the hoist must be performed at least one a year.

The GH2 must be inspected by a qualified fitter or by the Guldmann Service Team.

The service inspection includes a written report specifying what has been inspected and replaced.

Worn or defective components must be replaced by new components from Guldmann.

Spare parts drawings and documentation can be ordered from the manufacturer or the distributor.

**1. Visual inspection of the hoist**

- Check for wear, irregularities or other types of damage to the hoist

**2. Testing the hoist as though in normal use**

- Check all functions of the product with and without load as described in section 2.
- Check that the emergency stop functions
- Check that the emergency lowering device functions
- Check that the green indicator lamp lights up when the hoist is activated
- Check that the yellow charging indicator lights up when the batteries are recharging

**3. Remove cover/screen****4. Checking the electrical state of the hoist**

- Check batteries for:
  - Input voltage
  - Output voltage
- Check electrical functions and signals
- Check the wiring circuit for faults or defects
- Check the cable lead-ins
- Check the power supply, plugs, etc.
- Check the electrical safety of the product according to IEC 60601-1/1988

**5. Checking the mechanical state of the hoist**

- Clean the hoist to remove dirt and other impurities
- Inspect and evaluate vital components
- Replace defective and worn components
- Check and tighten all moving parts
- Lubricate the hoist
- Where applicable, treat the surface with silicone oil

**6. Replace cover/screen**

**7. Go through the checkpoints under item 2 again to make sure that everything functions**

**8. Have new problems arisen or been found under item 7?**

- If new problems have arisen, return to item 3
- If there are no new problems, the inspection is completed

**9. When a service inspection including service work or exchange of components has taken place, the final check must comprise a weight test with the product's nominal load.**

---

**5.03**

**Troubleshooting**

**Does the GH2 hoist fail to respond when buttons on the hand control are pressed?**

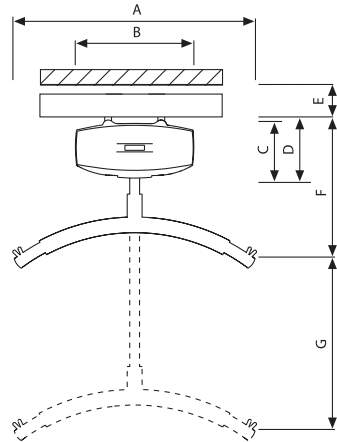
- Check that the emergency stop has not been activated
- Check that power is supplied to the hoist
- Contact the Guldmann Service Team  
The hand control may be defective

**Does the green lamp on the hoist blink when the batteries are recharging?**

- Check that the yellow charging indicator lights up when the hoist is put in the recharging position
- Check that the power supply is switched on
- Contact the local Guldmann representative or the Guldmann Service Team

**Dimensions**

A	595 mm	23¾"
B	300 mm	12"
C	148 mm	6"
D	160 mm	6½"
E, min.	82 mm	2½"
F, min.	370 mm	15"
G	1850 mm	73"
Depth of Hoist	197 mm	8"



**GH2, GH2+2 and GH2+2R**

Max. load	.....	200 kg	.....	440 lbs.
Max. number of lifts in series (AC)	.....	92 with 85 kg/1000 mm	.....	92 with 187 lbs./40"
		36 with 200 kg/1000 mm		36 with 440 lbs./40"
Max. number of lifts in series (DC)	.....	72 with 85 kg/1000 mm	.....	72 with 187 lbs./40"
		32 with 200 kg/1000 mm		32 with 440 lbs./40"

Lifting speed:

with 85 kg load / 187 lbs.	.....	1680 mm/min.	.....	66"/min
with 200 kg load / 440 lbs.	.....	1200 mm/min.	.....	47"/min
with max. 5 kg load / max. 11 lbs.	.....	3300 mm/min.	.....	130"/min

(Dual-speed)

**GH2+2 and GH2+2R**

Speed on straight rail at full load	.....	15 cm/sec.	.....	6"/sec.
-------------------------------------	-------	------------	-------	---------

Soft start/stop

**GH2 HD**

Max. load	.....	250 kg	.....	550 lbs.
Max. number of lifts in series (AC)	.....	92 with 85 kg/1000 mm	.....	92 with 187 lbs./40"
		32 with 250 kg/1000 mm		32 with 550 lbs./40"
Max. number of lifts in series (DC)	.....	72 with 85 kg/1000 mm	.....	72 with 187 lbs./40"
		28 with 250 kg/1000 mm		28 with 550 lbs./40"

Lifting speed:

with 85 kg load / 187 lbs. . . . . 1680 mm/min. . . . . 66"/min  
with 250 kg load / 550 lbs. . . . . 1020 mm/min. . . . . 40"/min  
with max. 5 kg load / max. 11 lbs. . . . . 3300 mm/min. . . . . 130"/min  
(Dual-speed)

**GH2, GH2+2, GH2+2R and GH2 HD**

Weight:

GH2 & GH2 HD excl. lifting hanger . . . . . 8,7 kg. . . . . 18 lbs.  
GH2+2 & GH2+2R excl. lifting hanger . . . . . 9,0 kg. . . . . 20 lbs.  
Lifting hanger . . . . . min. 2,0 kg. . . . . 4.4 lbs.

Sound level acc. to DS/ISO 3746:

Lifting motor . . . . . 52 dB(A)  
Drive motor . . . . . 52 dB(A)

Protection class:

Hoist and hand control . . . . . IP20 / IP 24  
Microswitches in hand control . . . . . IP67

**Electrical specifications**

Power supply . . . . . 25V AC  
Power supply . . . . . 24V DC  
Output transformer . . . . . 40VA  
Output recharger . . . . . 32VA  
Supply voltage transformer or recharger . . . . . 100-240V  
Current consumption, GH2 . . . . . 8.5A at max. load  
Current consumption, GH2+2 drive motor . . . . . 2.5A at max. load  
Max. power consumption GH2 . . . . . 240VA  
Charging time . . . . . max. 8 hours  
Lead batteries, sealed and maintenance-free . . . . . 2 x 12V  
Rechargeable batteries . . . . . order no. 933015

**Safety Measures**

Safety cut off for strap . . . . . Approx. 45°, driving direction  
Approx. 10°, transverse direction

Battery protection  
at too low voltage . . . . . Switches off when voltage  
goes below 17 volt

Periodic load, lifting motor  
(operation/pause) . . . . . 15/85, dynamic supervision  
Periodic load, drive motor  
(operation/pause) . . . . . 20/80, dynamic supervision



Guldmann™

EC-DECLARATION OF CONFORMITY

Manufacturer V. Guldmann A/S  
 Graham Bells Vej 21-23A  
 DK-8200 Aarhus N  
 EAN country code: 57  
 EAN distribution No.: 07287  
 Phone +45 8741 3151  
 Fax +45 8741 3131

Representative Company

Address

Country

Phone

Hereby declare that Product **GH2, GH2+2, GH2+2R & GH2 HD  
 incl. lifting hanger, suspension and charging system**

Type No. **XXXXXX-YYYY-ZZZZ** <sup>x)</sup>

x) XXXXXX: Reference No. of the product, YYYY: Serial No. of the product in the production year,  
 ZZZZ: Production year

was manufactured in conformity with the provisions in:

- EN 10535: Hoists for the transfer of disabled persons  
 - requirements and test methods
- EN 60601-1:1990 Medical electrical equipment -  
 + A1: 1993 Part 1-1: General requirements for safety  
 + A2: 1995  
 + A12: 1993
- EN 60601-1-2: Medical electrical equipment -  
 Part 1: General requirements for safety -  
 2: Collateral standard: Electromagnetic compatibility

according to the Council Directive 93/42/EEC of 14 June 1993

Skejby 01.09.03

Place and day of issue

Product responsible

Technical Manager

## USA and countries outside the EU

---

### A. **Users guide**

Before using the product, read the entire operation manual including warranty.

---

### B. **WARRANTY**

Guldmann warrants its equipment is free from material defects under normal use, and will perform substantially in accordance with the specifications set forth in documentation provided with the equipment.

This express warranty shall be in effect for one year from the date of original purchase and installation (the "Warranty Period"). If a valid claim is made during the Warranty Period for malfunction or equipment defect, Guldmann will repair or replace the equipment at no additional cost to you. Guldmann retains sole discretion as to whether the equipment will be repaired or replaced.

This warranty shall be null and void if the equipment is operated and maintained in any manner inconsistent with its intended use or the instructions provided with the product. Further, in order for the warranty to remain in effect for the full Warranty Period, all service to the equipment must be provided by a Guldmann designated technician. Any parts or components repaired or replaced by a Guldmann designated technician will be guaranteed for the remainder of the Warranty Period.

The warranty does not cover any part of the equipment which has been subject to damage or abuse by the user or others. The warranty does not cover any part of the equipment which has been altered or changed in any way by the user or others. Guldmann does not warrant that the lifting device functions will meet your requirements, be uninterrupted or error free.

The warranty set forth is in lieu of all other express and implied warranties, whether oral, written or implied, and the remedies set forth above are your sole and exclusive remedies. Only an authorized officer of Guldmann may make modifications to this warranty, or additional warranties binding on Guldmann. Accordingly, additional statements such as advertising or presentations, whether oral or written, do not constitute warranties by Guldmann.

### **Service or Repair**

Contact Guldmann Repair for an authorization to return any defective item during the Warranty Period. You will be provided with a return authorization number and address for returning the item for warranty service or replacement. Do not return items to Guldmann under warranty without receiving a Return Authorization Number.

If mailing the item, pack it carefully in a sturdy carton to prevent damage. Include your Return Authorization Number, a brief description of the problem and your return address and phone number. Goldmann does not assume the risk of loss or damage while in transit, so it is recommended you insure the package.

| Time to care |

**V. Guldmann A/S**

Corporate Office:  
Graham Bells Vej 21-23A  
DK-8200 Århus N  
Tlf. +45 8741 3100  
Fax +45 8741 3131  
info@guldmann.com  
www.guldmann.dk

**Guldmann Inc.**

14401 McCormick Drive,  
Unit A  
Tampa, FL 33626  
Tel. 800 664 8834  
Tel. 813 880 0619  
Fax 813 880 9558  
info@guldmann.net  
www.guldmann.net